

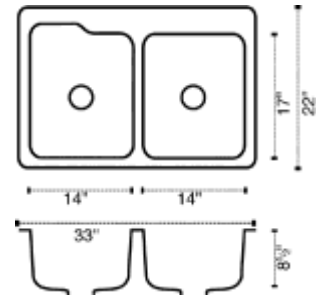
# KARRAN Self-Rimming Sinks

---

## Portland



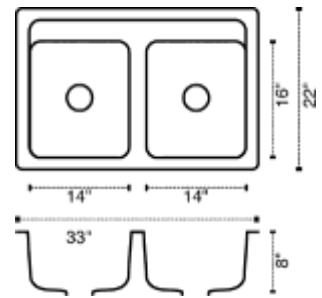
Double equal bowl drop-in sink.  
Overall sink dimensions: 33" x 22" x 8-1/2".  
Faucet deck accepts 3-hole, 4-hole and 5-hole faucet set ups.  
Suitable for drop-in installations in any type of countertop.  
Minimum 36" sink base required.



## Equal Bowl



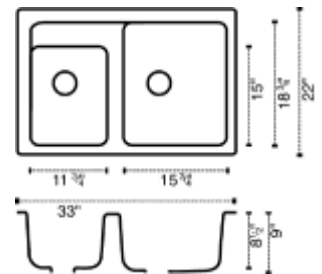
Double equal bowl drop-in sink.  
Overall sink dimensions: 33" x 22" x 8".  
Faucet deck accepts 3-hole, 4-hole and 5-hole faucet set ups.  
Suitable for drop-in installations in any type of countertop.  
Minimum 36" sink base required.



## Gourmet Chef



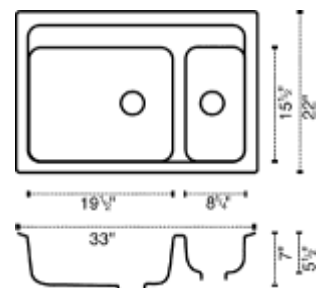
Large bowl/small bowl drop-in sink.  
Overall sink dimensions: 33" x 22" x 9".  
Faucet deck accepts single lever faucets plus two additional accessories.  
Suitable for drop-in installations in any type of countertop.  
Minimum 36" sink base required.



## Lakeside

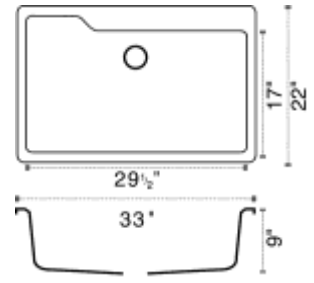


Large bowl/small bowl drop-in sink.  
Overall sink dimensions: 33" x 22" x 7".  
Faucet deck accepts 3-hole, 4-hole and 5-hole faucet set ups.  
Suitable for drop-in installations in any type of countertop.  
Minimum 36" sink base required.



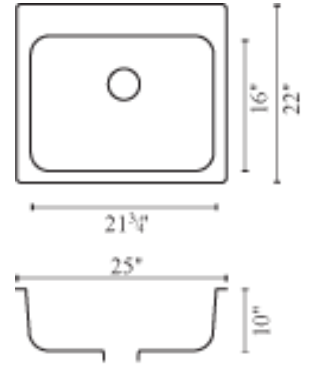
## Marquis

---



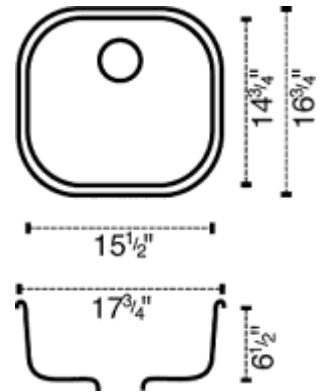
Extra large single bowl drop-in sink.  
 Overall sink dimensions: 33" x 22" x 9".  
 Faucet deck accepts 3-hole, 4-hole and 5-hole faucet set ups.  
 Suitable for drop-in installations in any type of countertop.  
 Minimum 36" sink base required.

### Mayfair



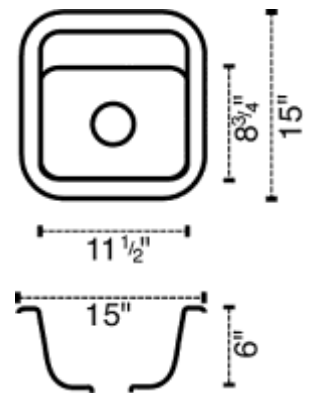
Medium single bowl drop-in sink.  
 Overall sink dimensions: 25" x 22" x 10".  
 Faucet deck accepts 3-hole, 4-hole and 5-hole faucet set ups.  
 Suitable for drop-in installations in any type of countertop.  
 Recommended for use as both a standard single bowl kitchen sink and a laundry room sink.  
 Minimum 27" sink base required.

### Nina



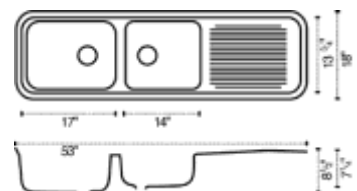
Small single bowl drop-in sink.  
 Overall sink dimensions: 17-3/4" x 16-3/4" x 6-1/2".  
 Faucets to be mounted on countertop.  
 Suitable for drop-in installations in any type of countertop.  
 Recommended for use as a food prep sink or bar sink.  
 Minimum 21" sink base required.

### Valley Falls



Small single bowl drop-in sink.  
 Overall sink dimensions: 15" x 15" x 6".  
 Faucet deck accepts 1-hole and 2-hole faucet set ups.  
 Suitable for drop-in installations in any type of countertop.  
 Recommended for use as a bar sink.  
 Minimum 18" sink base required.

### Intro



Double bowl drop-in sink with integrated drain board.  
 Overall sink dimensions: 53" x 18" x 8-1/2".

Faucet deck accepts single lever faucets only. Alternatively faucets may be countertop mounted.

Suitable for drop-in installations in any type of countertop.

Countertop must be cutout for drain board. Drain board may extend over a drawer base, cabinet or dishwasher.

Minimum 36" sink base required.

---

## Dynasty



Triple bowl drop-in sink.

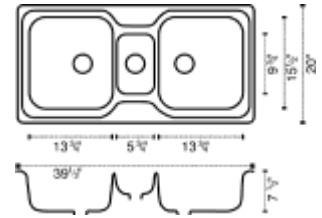
Overall sink dimensions: 39-1/2" x 20" x 7-1/2".

Faucet deck accepts single lever faucets only. Alternatively faucets may be countertop mounted.

Suitable for drop-in installations in any type of countertop.

Sink comes with removable vegetable colander.

Minimum 42" sink base required.



---

## Tulip



Large bowl/small bowl drop-in sink with integrated drain board.

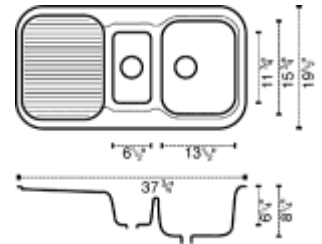
Overall sink dimensions: 37-3/4" x 19-1/2" x 8-1/4".

Faucets to be mounted on countertop.

Suitable for drop-in installations in any type of countertop.

Countertop must be cutout for drain board. Drain board may extended over a drawer base, cabinet or dishwasher.

Minimum 24" sink base required.



---

## Dover



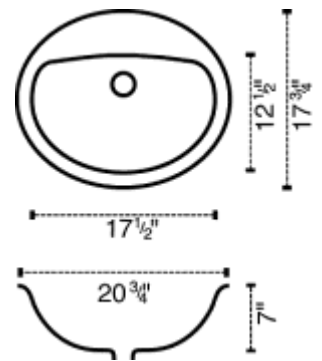
Oval drop-in vanity bowl with integrated faucet deck.

Overall sink dimensions: 20-3/4" x 17-3/4" x 7".

Faucet deck accepts 1-hole, 2-hole and 3-hole set ups.

Suitable for drop-in installations in any type of countertop.

No factory installed overflow. Separate overflow kit for after market installation available upon request.



---

## Miki



Oval drop-in vanity bowl.

Overall sink dimensions: 21-3/4" x 15-1/2" x 6-1/2".

Faucets to be mounted on countertop.

Suitable for drop-in installations in any type of countertop.

No factory installed overflow. Separate overflow kit for after market installation available upon request.

